

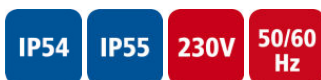
Date tehnice pentru produs: IUKNF4523A

Ventilator cu filtru IP54, 230VAC, 156mc/h, 252x252x113mm



SCHRACK-Info

- Filter ventilators and exhaust filters are injection-moulded from thermoplastic material, self-extinguishing according to UL94VO, UV-resistant
- Toolless mounting with patented 4-corner-catching
- Simple exchange of filter mat thanks to patented and service-friendly hinge system
- Variable direction of air conveyance via 180° rotation of fan-motor assembly, standard as delivered is directing towards the enclosure (not possible for **IUNKF1523A**)
- Fast electrical connection via spring-type terminals
- Degree of protection: IP54 with standard filter mat, IP55 can be reached by using fluted filter mat **IUKM4x20** (not possible for **IUKNF1523A**)
- Color: RAL7035 (Light grey)



Fișe tehnice

| | |
|--|------------|
| Lățime netă (mm) | 252,00 |
| Înălțime (mm) | 252,00 |
| Adâncime netă (mm) | 97,00 |
| Masă netă (kg.) | 1,18 |
| Temperatura minimă a mediului ambiant (°C) | -40 |
| Temperatura maximă a mediului ambiant (°C) | 55 |
| Categorie produs | Ventilator |
| Tensiune nominală | 230V-AC |
| Decupaș mm (mm) | 223x223 |
| Adâncime montaj (mm) | 113 |
| Grad de protecție | IP54 |

Fișe tehnice - Continuare

| | |
|---|-------------|
| Culoare | Gri deschis |
| Capacitate utilă de răcire cu filtru de iesire IP54 (W/K) | 33,1 |
| Cooling output with downstream filter IP55 | 31,1 |
| Debit aer la IP54 (m ³ /h) | 156 |
| Debit aer la IP55 (m ³ /h) | 145 |

Tabel de date: Ventilator cu filtru IP54, 230VAC, 156mc/h, 252x252x113mm

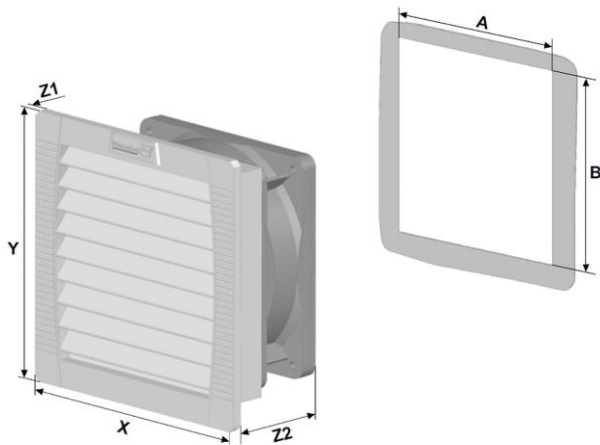
| Daten | IP | Einheit | IUKNF | | | | | | | |
|--|---------------|-------------------|--|-------------|-----------|-------------------|-------------|-------------|-------------|-------------|
| | | | 1523A | 2523A | 3523A | 4523A | 5523A | 6523A | 7523A | 8523A |
| Nennspannung ±10% | | V | AC 50 / 60Hz | | | | | | | |
| | | | 230 | | | | | | | |
| Luffördermenge freiblasend | IP54 IP55* | m ³ /h | 19 / 24 | 61 / 70 | 110 / 125 | 125 / 138 | 223 / 247 | 480 / 480 | 640 / 653 | 845 / 875 |
| | | | - | 56 / 64 | 100 / 110 | 145 / 160 | 233 / 265 | 505 / 505 | 770 / 785 | 925 / 950 |
| Luffördermenge in Kombination mit Austrittsfilter IUKNExxx | IP54 IP55* | m ³ /h | 12 / 14 | 44 / 52 | 82 / 93 | 93 / 102 | 201 / 223 | 370 / 370 | 445 / 445 | 560 / 625 |
| | | | - | 40 / 46 | 55 / 64 | 109 / 113 | 180 / 207 | 380 / 380 | 490 / 501 | 570 / 625 |
| Leistungsaufnahme | | W | 12 / 11 | 19 / 18 | | 18 / 17 | 45 / 39 | 80 / 100 | 120 / 160 | 140 / 197 |
| Stromaufnahme | | A | 0,07 / 0,06 | 0,12 / 0,18 | | 0,12 / 0,10 | 0,32 / 0,26 | 0,35 / 0,45 | 0,53 / 0,72 | 0,62 / 0,86 |
| Geräuschpegel EN ISO 3741 | | dB (A) | 33 / 33 | 44 / 44 | 40 / 40 | 40 / 43 | 53 | 54 / 52 | 63 / 64 | 66 / 69 |
| Gewicht | | kg | 0,55 | 0,70 | 0,87 | 1,18 | 1,67 | 3,20 | | 3,70 |
| Anschlussart | | | Kabel | Klemmleiste | | Federreihenklemme | | | | |
| Absicherung | | A | 6 | | | | | | | |
| Schutzart nach EN 60529 / UL 50 | IP54 IP55* | | NEMA Typ 12 - Standard Filter | | | | | | | |
| | | | NEMA Typ 12 - Faltenfilter | | | | | | | |
| Abscheidegrad | IP54 IP55* | % | 88 | | | | 91 | | 91 | |
| | | | - | | | | 91 | | 91 | |
| Güteklasse der Filtermatte nach EN 779 | IP54 IP55* | | G 3 | | | | G 4 | | G 4 | |
| | | | - | | | | G 4 | | G 4 | |
| Einschaltdauer | | % | 100 | | | | | | | |
| Lagerart | | | Gleitlager | | | | Kugellager | | | |
| Lebensdauer L10 (+40°C) ¹ | | h | 52500 | 37500 | | 40000 | | | | |
| Temperaturbereich | | °C (°F) | -40 ... +55°C (-40 ... +131°F) | | | | | | | |
| Bauweise (Gehäuse und Berührungsschutz) | IP54 IP55* | | aus thermoplastischem Kunststoff gespritzt, selbstverlöschend UL 94 VO | | | | | | | |
| | | | zusätzlich: UV-beständig | | | | | | | |
| Farbe | | | RAL 7035 (Lichtgrau) | | | | | | | |

Angabefelder mit zwei Werten (z.B.: 19 / 24) beziehen sich auf 50 / 60Hz

*Auf Anfrage erhältlich

¹Lüfterausfall wird definiert, wenn die Strom- und Drehzahlangaben abweichen oder das Betriebsgeräusch auffällig ist

Dimensions Filter Fans



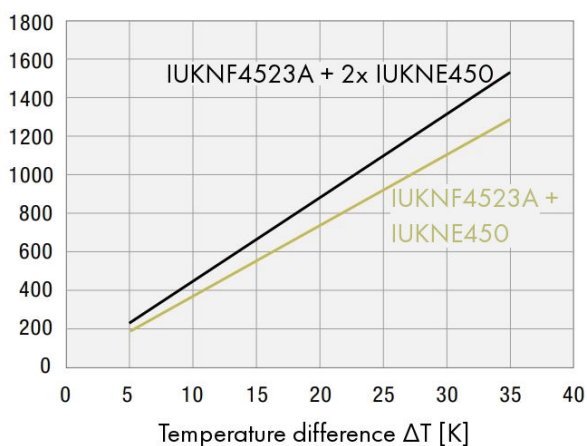
Tabel de date: Ventilator cu filtru IP54, 230VAC, 156mc/h, 252x252x113mm

| Artikelnummer | X [mm] | Y [mm] | Z1 [mm] | Z2 [mm] | A* [mm] | B* [mm] |
|---------------------------|--------|--------|---------|---------|---------|---------|
| Filterventilatoren | | | | | | |
| IUKNF1523A | 109 | 109 | 4 | 62 | 92 | 92 |
| IUKNF2523A | 145 | 145 | 5 | 70 | 125 | 125 |
| IUKNF3523A | 202 | 202 | 6 | 87 | 177 | 177 |
| IUKNF4523A | 252 | 252 | 6 | 97 | 223 | 223 |
| IUKNF5523A | 252 | 252 | 6 | 113 | 223 | 223 |
| IUKNF6523A | 320 | 320 | 7 | 150 | 292 | 292 |
| IUKNF7523A | 320 | 320 | 7 | 150 | 292 | 292 |
| IUKNF8523A | 320 | 320 | 7 | 150 | 292 | 292 |
| Austrittsfilter | | | | | | |
| IUKNE150 | 109 | 109 | 4 | 19 | 92 | 92 |
| IUKNE250 | 145 | 145 | 5 | 26 | 125 | 125 |
| IUKNE350 | 202 | 202 | 6 | 34 | 177 | 177 |
| IUKNE450 | 252 | 252 | 6 | 38 | 223 | 223 |
| IUKNE550 | 320 | 320 | 7 | 39 | 292 | 292 |

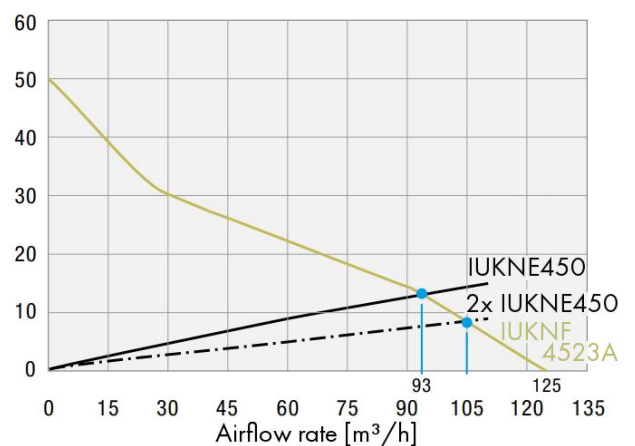
*Für Materialdicke bis 2mm, +1mm für Materialdicke >2mm ≤3mm

IUKNF4523A Performance Curves: Cooling Capacity (left) and Static Pressure (right)

Cooling capacity [W]



Static Pressure [Pa]



Tabel articole

| Descriere | Cod comandă |
|--|-------------|
| Ventilator cu filtru IP54, 230VAC, 156mc/h, 252x252x113mm | IUKNF4523A |
| Accesorii necesare | |
| Filtru de ieșire 252x252x38mm, IP54 | IUKNE450 |
| Termostat pt. ventilarea dulapurilor, 1ND, comut. albastru | IUK08566 |
| Accesorii opționale | |
| Filtru de rezervă pt. ventil. 252x252mm IP54 (1Set=5buc) | IUKM4810 |
| Filtru de rezervă pt. ventil. 252x252mm IP55 (1Set=5buc) | IUKM4820 |